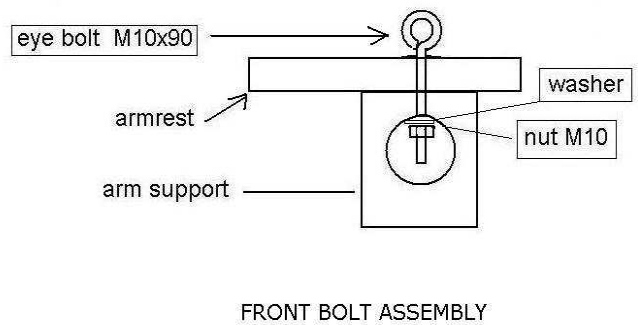
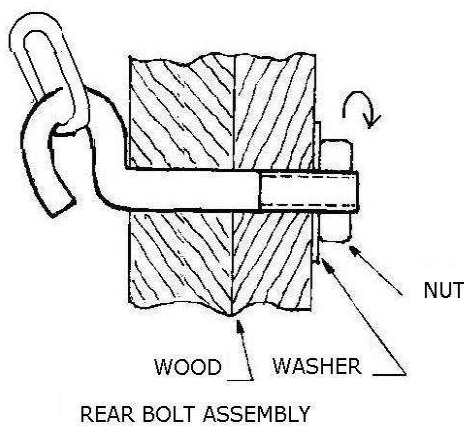
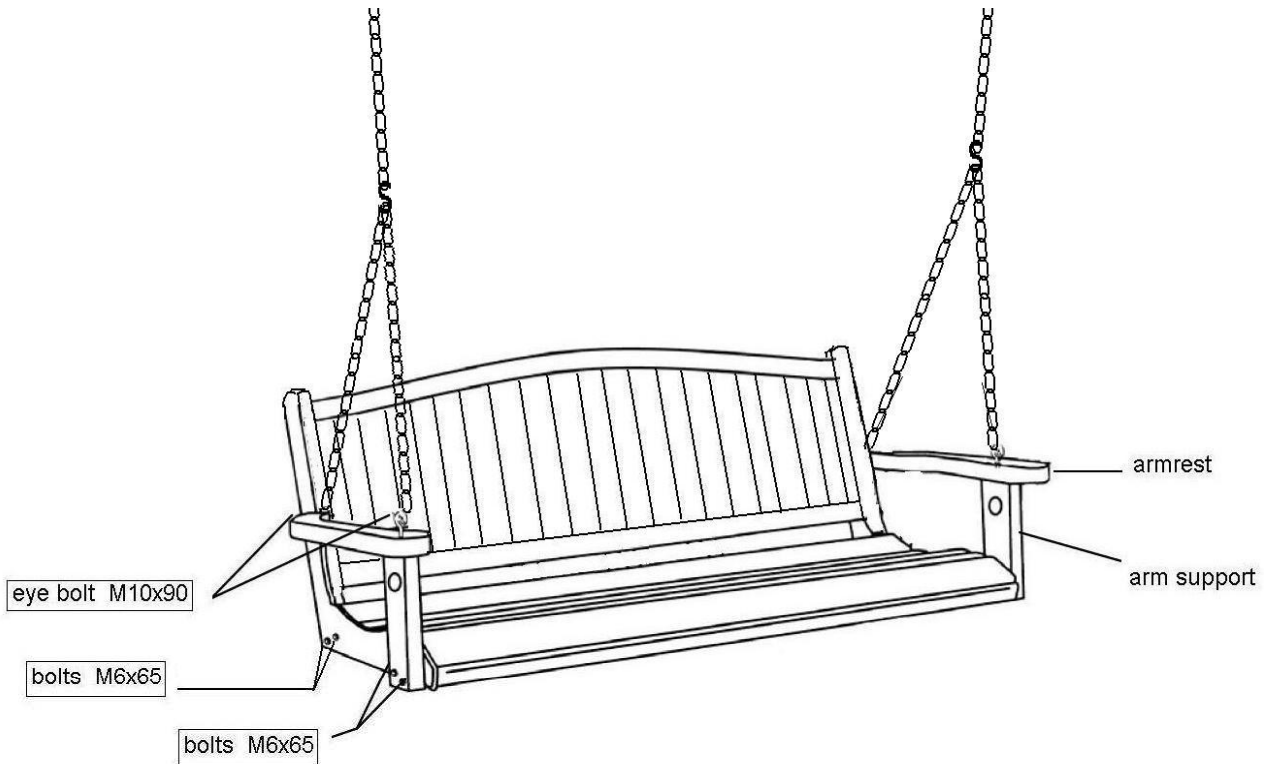


ASSEMBLY INSTRUCTION



TOOLS NEEDED: ALLEN KEY, WRENCH

- LIST OF PARTS:
- 1 - SEAT ASSEMBLY
 - 1 - BACK ASSEMBLY
 - 2 - ARMREST
 - 2 - ARMREST SUPPORT
 - 1 - SET - SWING CHAIN WITH S-HOOKS and REAR BOLTS
 - 8 - BOLTS M6x65
 - 2 - FRONT EYE BOLT WITH WASHER AND NUT

Assembly Steps:

1. Tighten all of the screws on the seat with a Philips head screw driver before you begin to assemble the swing.
2. Attach the back assembly to the seat assembly with bolts M6x65 and nuts, Semi tighten.
3. Attach arm supports to the seat assembly with M6x65 bolts and nuts. Semi tighten.
4. Fix armrest to arm support and the back with eye bolts.
Assemble the front eye bolts as per the above sketch.
Assemble the rear eye bolts as per the above sketch.
6. Tighten all bolts, but do not over-tighten.
7. Finally hang the swing with chains as per the above sketch.
After the swing has been exposed to weather for a period, it may be necessary to re-tighten the bolts and maintain the swing with linseed oil.