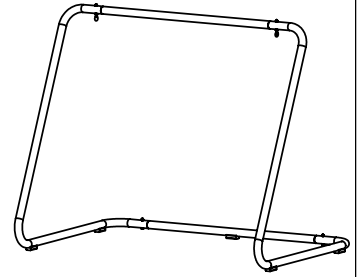
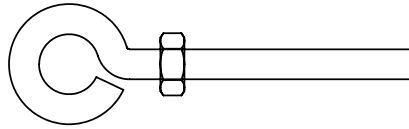




*Note: Prep eyebolts with nut
Take nut to end of thread



Assembly Instructions

Model: SSF (NS48 Swing Stand)

Step 1

Attach feet to bottom of swing stand using (5) 12x1 Screws in pre-drilled holes.

Step 2

Attach the Top tube and the bottom tube to the Sides.

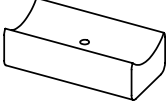
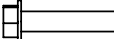

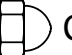
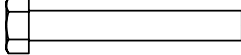
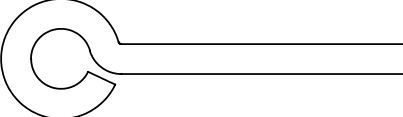
Step 3

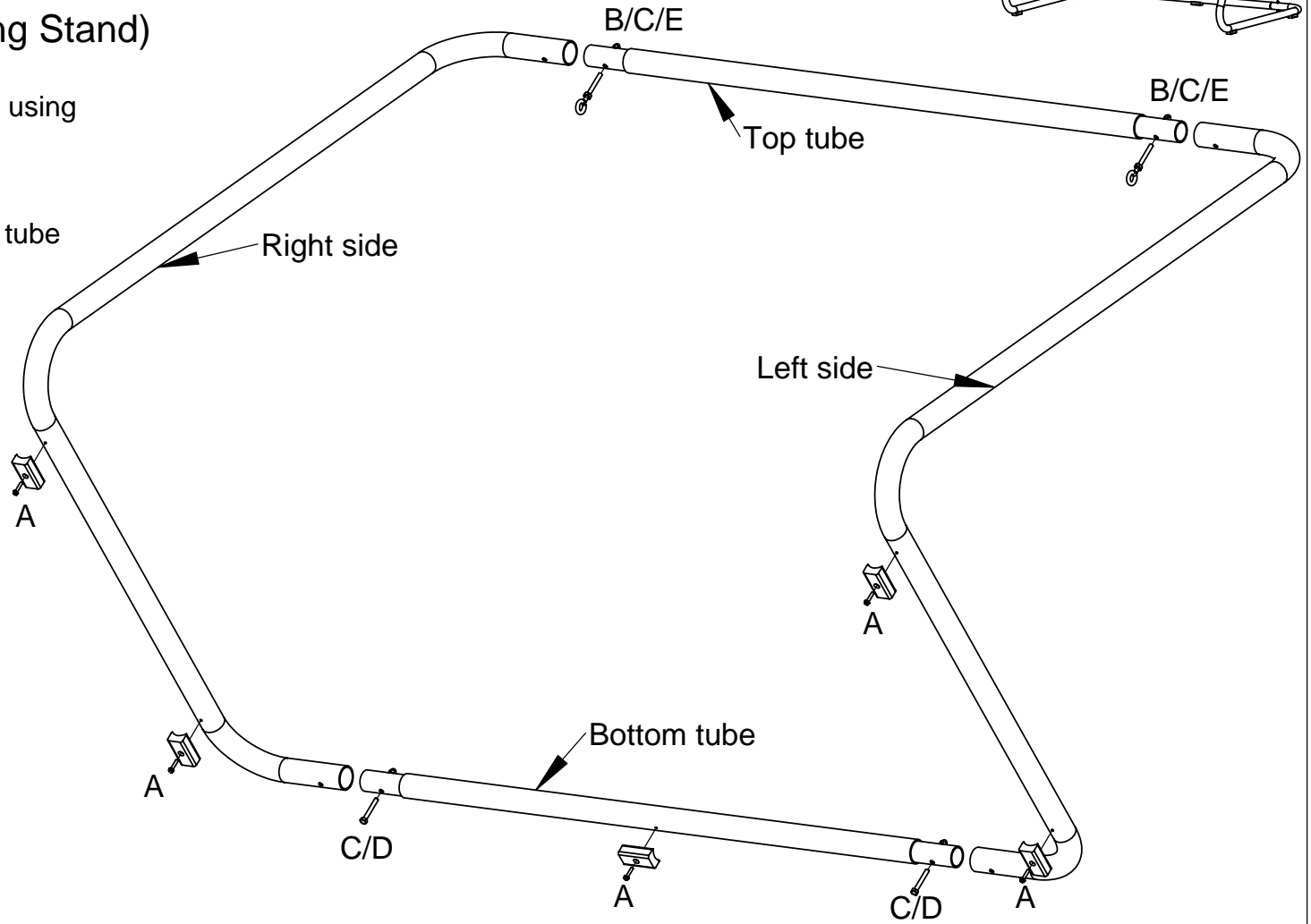
Attach Bottom tube using (2) 2 1/4" Hex bolts with Acron nuts in pre-drilled holes.

Step 4

Attach Top tube using (2) Eyebolts with Acorn nuts in pre-drilled holes

Qty.	Description
------	-------------

5	 Feet
5	 A - 12x1 Screw
2	 B - 5/16 Nut
4	 C - 5/16 Acorn Nut
2	 D - 2 1/4" Hex Bolt (5/16)
2	 E - 4 1/4" Eyebolt (5/16)



TOOLS NEEDED

5/16 Socket
1/2 Socket
9/16 Socket