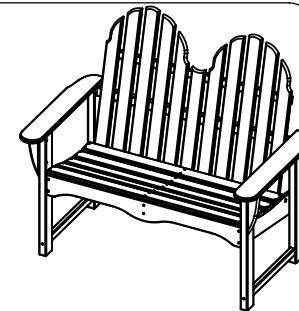




Assembly Instructions

Model: ADBN-1



Step 1

Attach the seat to the sideframes using (6) 1½" bolts

Step 2

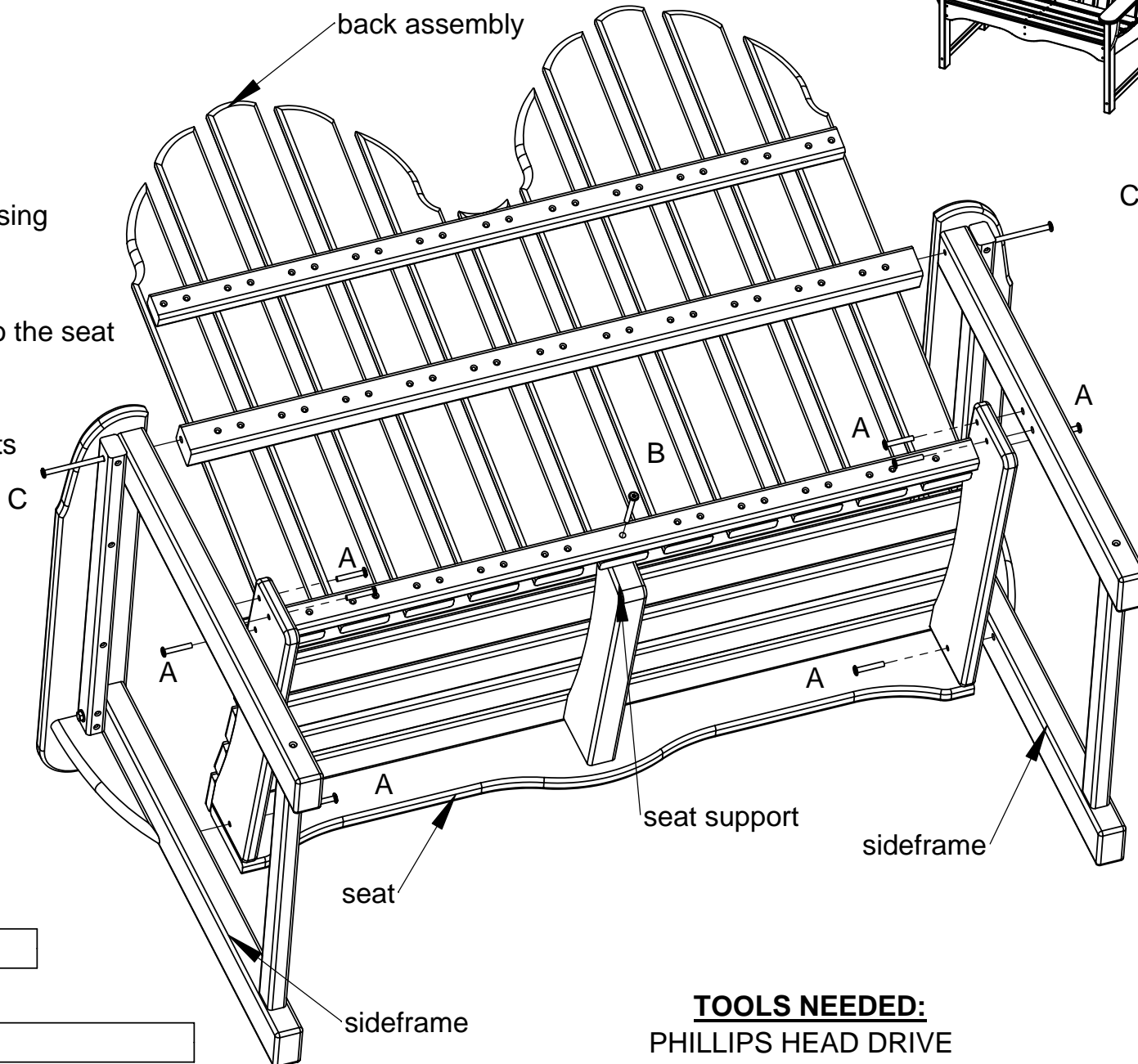
Attach the back assembly *bottom* to the seat using (2) 1½" bolts

Then attach the back assembly *top* to the sideframes using (2) 3½" bolts

Step 3

Attach the back assembly to the seat support (1) 2½" bolt

* Tighten all bolts at this time



Qty. Description

8 **A** - 1½" Truss bolt

1 **B** - 2½" Truss bolt

2 **C** - 3½" Truss bolt

TOOLS NEEDED:
PHILLIPS HEAD DRIVE

ALL BOLTS ARE ¼-20

3/2/05