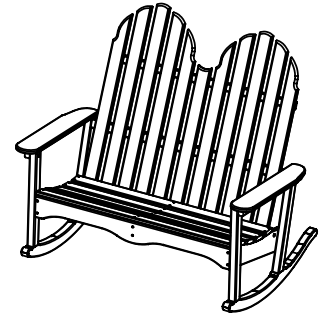




# Assembly Instructions

Model: ADDR-1



## Step 1

Attach Arms to Sideframes using (2) 2 1/4" bolts

## Step 2

Attach the seat to the sidframes using (6) 1 1/2" bolts - Do not tighten bolts yet

## Step 3

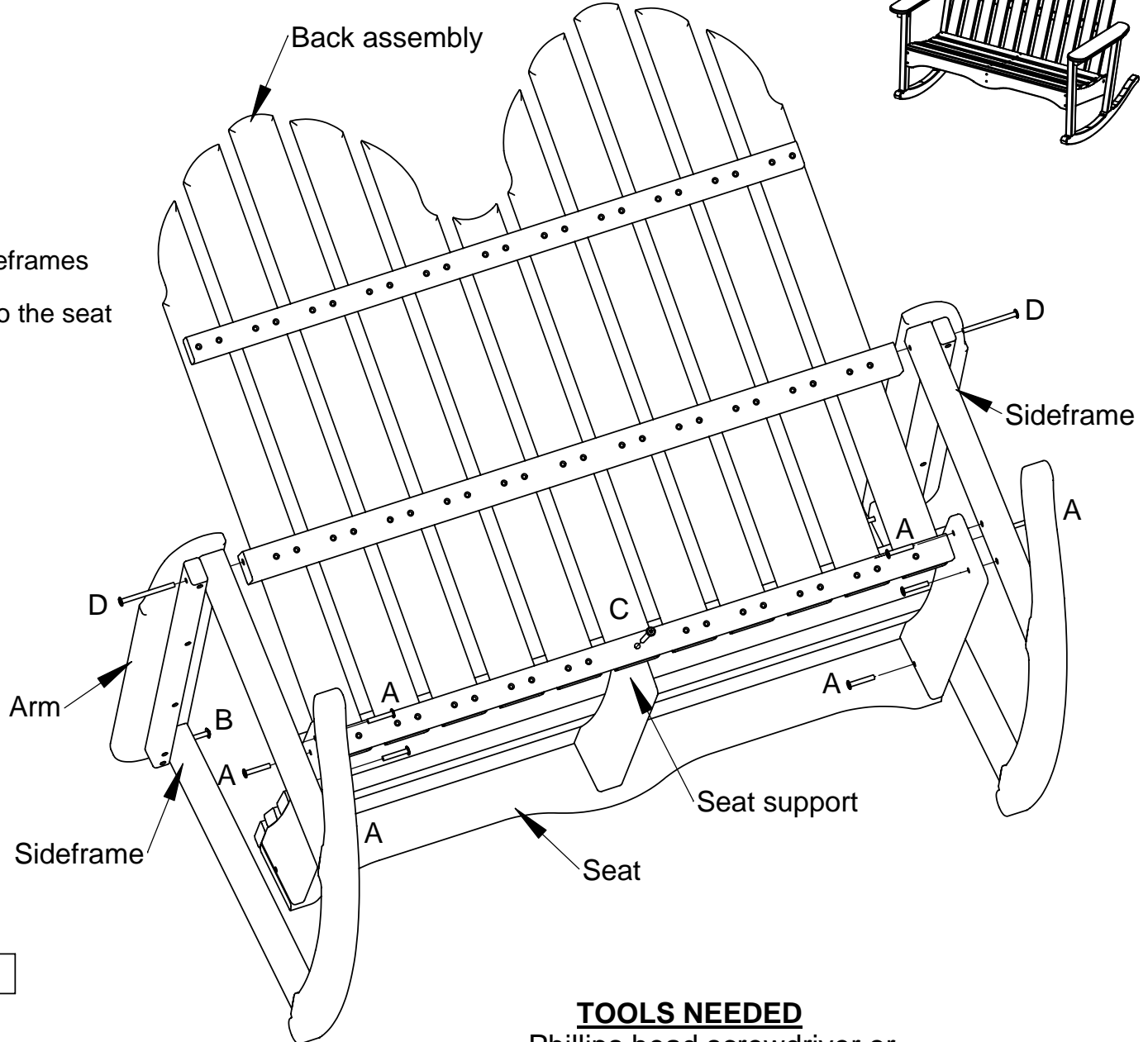
Attach the back assembly *top* to the sideframes using (2) 3 1/4" bolts  
Next attach the back assembly *bottom* to the seat using (2) 1 1/2" bolts

## Step 4

Attach the back assembly to the seat support using (1) 2 1/2" bolt

\* Tighten all bolts at this time

- (2) Sideframes
- (2) Arms
- (1) Seat
- (1) Back
- (1) Hardware pack



Qty.	Description
------	-------------

8	A - 1 1/2 Bolt
2	B - 2 1/4 Bolt
1	C - 2 1/2 Bolt
2	D - 3 1/4 Bolt

### TOOLS NEEDED

Phillips head screwdriver or  
5/32" hex key