

EX48
ESSEX 4 FOOT
BENCH

Congratulations

Congratulations, and thank you, for your purchase of a finely crafted piece of natural shorea furniture from Oxford Garden. Enclosed in this document is important information about shorea wood, instructions for assembly, and care and maintenance of your furniture. Please take a moment to read this information. You will then be ready to put your furniture together and begin a lifetime of outdoor enjoyment.

OXFORD  GARDEN™

1729 Research Drive, Unit A
Louisville, KY 40299
p: 502-719-2222 f: 502-719-8888

Care & Maintenance

Your Oxford Garden furniture arrives in its natural state, without any oils or finishes. Upon completion of assembly, you may notice some staining from your hands, or possibly some water stains from shipping. Shorea is extremely dense, and therefore any staining will be only on the very surface of the wood, so any marks or abrasions can be easily removed by liberally sanding the wood with 100 grit, or medium, sandpaper.

Shorea is strong enough and weather resistant enough to be left totally untreated. If left alone, your furniture will weather naturally with time, turning a warm and soothing shade of gray. If you prefer to prevent this natural weathering, or to enhance the luster and color of the wood, you may seasonally apply a coat of teak oil. If you allow your furniture to weather, and later decide to restore it to its original condition, use a teak cleaner first, and then you may apply the teak oil. These products are available at most hardware stores and boat dealers, and are available through many Oxford Garden dealers.

If the furniture is going to be placed on a concrete or tile patio, it should first be rinsed well to remove the sawdust that may cause some staining.

Parts List & Hardware

A	(1)	Left Arm
B	(1)	Front Seat Rail
C	(1)	Back Assembly
D	(1)	Seat Assembly
E	(1)	Right Arm Assembly
F	(1)	Left Corner Brace
G	(1)	Right Corner Brace
H	(12)	Dowels
I	(6)	4 mm Phillips Head Screws
J	(2)	6 mm Allen Head Screws
K	(1)	Allen Wrench

About Shorea Wood

Shorea is a tropical hardwood that grows plentifully in the Pacific Rim countries of Burma, Malaysia, and Indonesia. Shorea is closely related to teak, and is therefore well suited for use in furniture making. It is renowned for its strength, durability, and beauty. Like teak, shorea has natural oils that allow it to withstand the effects of sun, rain, snow, and frost.

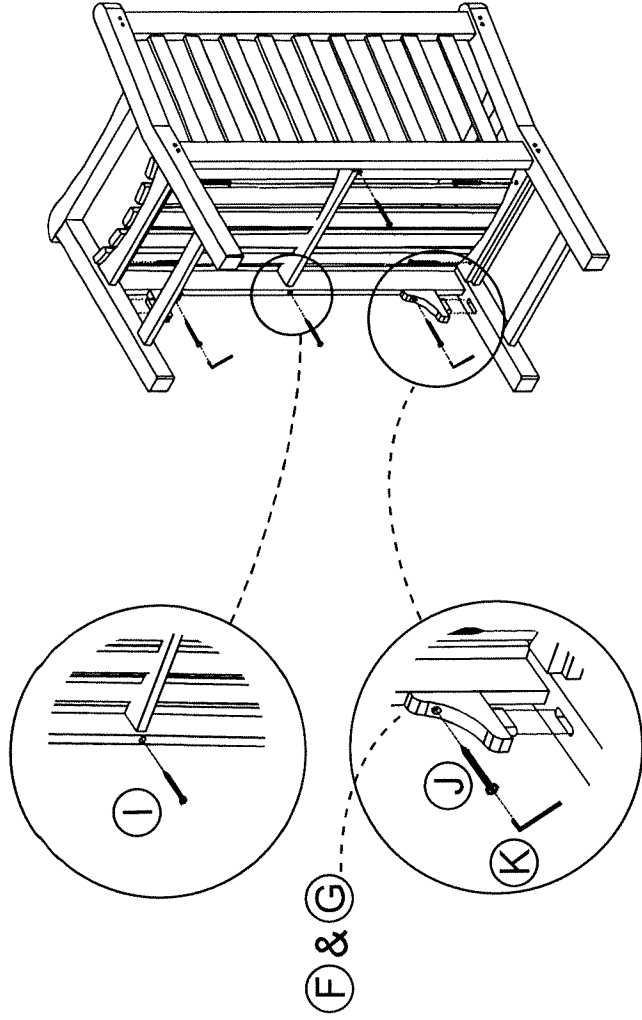
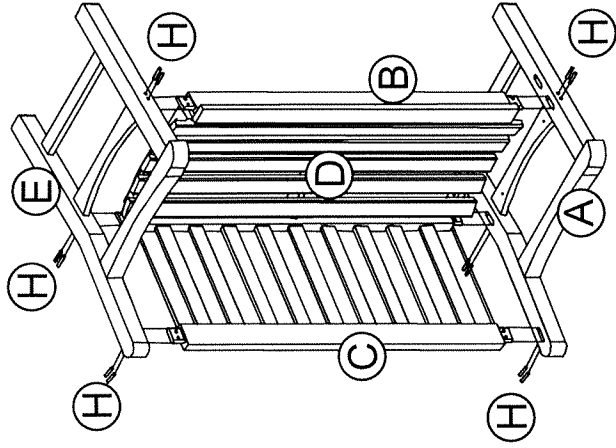
EX48 Essex 4 Foot Bench

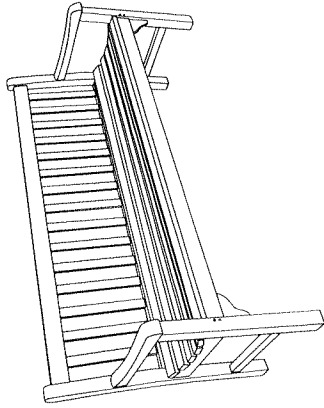
The Oxford Garden Essex 4 Foot Bench has seven component parts - the left arm (A), front seat rail (B), back assembly (C), seat assembly (D), right arm assembly (E), and two corner braces (F & G). Put all parts together before securing with screws and dowels.

To assemble:

1. Lay left arm (A) on ground, mortise holes facing up.
2. Place front seat rail (B) into the top mortise of left arm (A), keeping the hole in the front rail facing the back of the bench.
3. Line up the back assembly (C) with the remaining holes in left arm assembly (A), and place the back (C) onto left arm, making sure that the hole in the lower rail of the back assembly faces the front.
4. Place seat (D) onto left arm, and align seat pegs into the holes of the front and back rails. Make sure the "front" label on the bottom of seat is facing the front of the bench.
5. Place right arm (E) onto those parts already assembled.
6. With a hammer, drive 12 dowels (H) into the predrilled holes. Insert the tapered end of the dowel first.
IMPORTANT NOTE: THE DOWELS SHOULD BE EASILY DRIVEN IN FLUSH. IF THERE IS STRONG RESISTANCE, DO NOT FORCE THE DOWEL. IF NECESSARY, IT CAN BE SAWED OFF.

7. Drive 6 screws (I) through the predrilled holes to secure seat to the left and right arm assemblies, and through the front and rear seat rails into the center seat support.
8. Secure the corner braces (F) and (G) with 2 screws (J). Tighten screws using the allen wrench (K) provided.
9. Using a medium grit sandpaper, quickly sand off any marks or stains. Sand to smooth off areas around the dowel pins.
10. Enjoy your new bench.





EX72
ESSEX 6 FOOT
BENCH

Congratulations

Congratulations, and thank you, for your purchase of a finely crafted piece of natural shorea furniture from Oxford Garden. Enclosed in this document is important information about shorea wood, instructions for assembly, and care and maintenance of your furniture. Please take a moment to read this information. You will then be ready to put your furniture together and begin a lifetime of outdoor enjoyment.

OXFORD GARDEN™

1729 Research Drive, Unit A
Louisville, KY 40299
p: 502-719-2222 f: 502-719-8888

Care & Maintenance

Your Oxford Garden furniture arrives in its natural state, without any oils or finishes. Upon completion of assembly, you may notice some staining from your hands, or possibly some water stains from shipping. Shorea is extremely dense, and therefore any staining will be only on the very surface of the wood, so any marks or abrasions can be easily removed by liberally sanding the wood with 100 grit, or medium, sandpaper.

Shorea is strong enough and weather resistant enough to be left totally untreated. If left alone, your furniture will weather naturally with time, turning a warm and soothing shade of gray. If you prefer to prevent this natural weathering, or to enhance the luster and color of the wood, you may seasonally apply a coat of teak oil. If you allow your furniture to weather, and later decide to restore it to its original condition, use a teak cleaner first, and then you may apply the teak oil. These products are available at most hardware stores and boat dealers, and are available through many Oxford Garden dealers.

If the furniture is going to be placed on a concrete or tile patio, it should first be rinsed well to remove the sawdust that may cause some staining.

Parts List & Hardware

A	(1)	Left Arm
B	(1)	Front Seat Rail
C	(1)	Back Assembly
D	(1)	Seat Assembly
E	(1)	Right Arm Assembly
F	(1)	Left Corner Brace
G	(1)	Right Corner Brace
H	(12)	Dowels
I	(8)	4 mm Phillips Head Screws
J	(2)	6 mm Allen Head Screws
K	(1)	Allen Wrench

About Shorea Wood

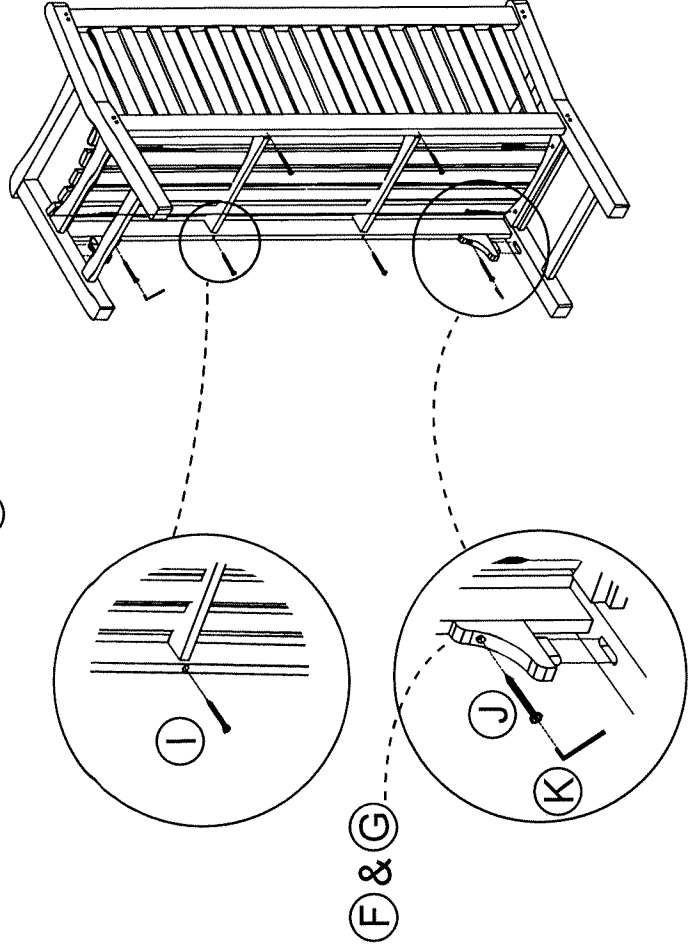
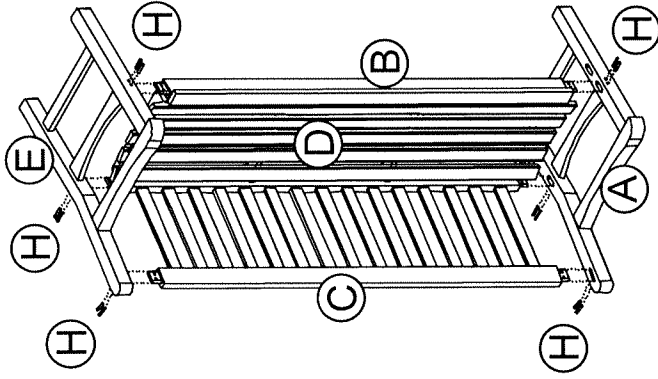
Shorea is a tropical hardwood that grows plentifully in the Pacific Rim countries of Burma, Malaysia, and Indonesia. Shorea is closely related to teak, and is therefore well suited for use in furniture making. It is renowned for its strength, durability, and beauty. Like teak, shorea has natural oils that allow it to withstand the effects of sun, rain, snow, and frost.

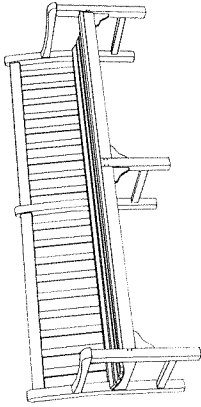
EX72 Essex 6 Foot Bench

The Oxford Garden Essex 6 Foot Bench has seven component parts - the left arm(A), front seat rail (B), back assembly (C), seat assembly (D), right arm assembly (E), and two corner braces (F & G). Put all parts together before securing with screws and dowels.

To assemble:

1. Lay left arm (A) on ground, mortise holes facing up.
2. Place front seat rail (B) into the top mortise of left arm (A), keeping the hole in the front rail facing the back of the bench.
3. Line up the back assembly (C) with the remaining holes in left arm assembly (A), and place the back (C) onto left arm, making sure that the holes in the lower rail of the back assembly face the front.
4. Place seat (D) onto left arm, and align seat pegs into the holes of the front and back rails. Make sure the "front" label on the bottom of seat is facing the front of the bench.
5. Place right arm (E) onto those parts already assembled.
6. With a hammer, drive 12 dowels (H) into the predrilled holes. Insert the tapered end of the dowel first.
IMPORTANT NOTE: THE DOWELS SHOULD BE EASILY DRIVEN IN FLUSH. IF THERE IS STRONG RESISTANCE, DO NOT FORCE THE DOWEL. IF NECESSARY, IT CAN BE SAWED OFF.
7. Using a screwdriver, drive 8 screws (I) through the predrilled holes to secure seat to the left and right arm assemblies, and through the front and rear seat rails into the center seat supports.
8. Secure the corner braces with 2 screws (J).
9. Using a medium grit sandpaper, quickly sand off any marks or stains. Sand to smooth off areas around the dowel pins.
10. Enjoy your new bench.





EX96
ESSEX 8 FOOT
BENCH

Congratulations

Congratulations, and thank you, for your purchase of a finely crafted piece of natural shorea furniture from Oxford Garden. Enclosed in this document is important information about shorea wood, instructions for assembly, and care and maintenance of your furniture. Please take a moment to read this information. You will then be ready to put your furniture together and begin a lifetime of outdoor enjoyment.

OXFORD & GARDEN™

1729 Research Drive, Unit A
Louisville, KY 40299
p: 502-719-2222 f: 502-719-8888

Care & Maintenance

Your Oxford Garden furniture arrives in its natural state, without any oils or finishes. Upon completion of assembly, you may notice some staining from your hands, or possibly some water stains from shipping. Shorea is extremely dense, and therefore any staining will be only on the very surface of the wood, so any marks or abrasions can be easily removed by liberally sanding the wood with 100 grit, or medium, sandpaper.

Shorea is strong enough and weather resistant enough to be left totally untreated. If left alone, your furniture will weather naturally with time, turning a warm and soothing shade of gray. If you prefer to prevent this natural weathering, or to enhance the luster and color of the wood, you may seasonally apply a coat of teak oil. If you allow your furniture to weather, and later decide to restore it to its original condition, use a teak cleaner first, and then you may apply the teak oil. These products are available at most hardware stores and boat dealers, and are available through many Oxford Garden dealers.

If the furniture is going to be placed on a concrete or tile patio, it should first be rinsed well to remove the sawdust that may cause some staining.

Parts List & Hardware

A	(1)	Left Arm Assembly
B	(1)	Front Seat Rail
C	(1)	Left Back Assembly
D	(1)	Center Brace
E	(1)	Right Back Assembly
F	(1)	Seat Assembly
G	(1)	Right Arm Assembly
H,I,J&K	(4)	Corner Braces
L	(22)	Dowels
M	(4)	6 mm Allen Head Screws
N	(8)	4 mm Phillips Screws
O	(1)	Allen Wrench

About Shorea Wood

Shorea is a tropical hardwood that grows plentifully in the Pacific Rim countries of Burma, Malaysia, and Indonesia. Shorea is closely related to teak, and is therefore well suited for use in furniture making. It is renowned for its strength, durability, and beauty. Like teak, shorea has natural oils that allow it to withstand the effects of sun, rain, snow, and frost.

EX96 Essex 8 Foot Bench

The Oxford Garden Essex 8 Foot Bench has 11 component parts: left arm (A), front rail (B), left back assembly (C), center brace (D), right back assembly (E), seat assembly (F), right arm assembly (G), and four corner braces (H,I,J,K). The EX96 is long enough that we recommend at least two people for assembly.

To assemble:

1. Place the pegs of the seat assembly (F) into the holes of the front rail (B). Be sure that the "front" label on the bottom of seat faces the front rail.
2. Hold the center brace (D) upright, and slide the front rail (B), with seat attached, into the slot at the front of center brace (D).
3. Slide left back assembly (C) onto center brace (D), and insert the peg of seat assembly (F) into the hole of left back assembly (C).
4. Slide left arm (A) into place, aligning the three mortise holes in the arm with the two tenons of the left back assembly (C) and tenon of front rail (B). note: tenon of front rail goes into the upper mortise of arm assembly.
5. Slide right back assembly (E) onto center brace, and insert the peg of seat assembly (F) into the hole of the right back assembly (E).
6. Slide right arm (G) into place, aligning the three mortise holes in the arm with the two tenons of the right back assembly (E) and tenon of front rail (B).
7. Using a hammer, drive the 22 dowels (L) into place. Place the tapered end of the dowel first. **IMPORTANT NOTE: THE DOWELS SHOULD BE EASILY DRIVEN IN FLUSH. IF THERE IS STRONG RESISTANCE, DO NOT FORCE THE DOWEL. IF NECESSARY, IT CAN BE SAWED OFF.**
8. Using a screwdriver, drive 4 screws (N) through the end seat rails and into the arm assemblies and 4 screws (N) through the front rail and back rail into the pegs of seat.
9. Attach the four corner braces (H,I,J,K) with 4 screws (M).
10. Carefully turn the bench upright and enjoy.

