

**CDCH48**  
CHADWICK  
4' BENCH

## **Congratulations**

Congratulations, and thank you, for your purchase of a finely crafted piece of natural shorea furniture from Oxford Garden. Enclosed in this document is important information about shorea wood, instructions for assembly, and care and maintenance of your furniture. Please take a moment to read this information. You will then be ready to put your furniture together and begin a lifetime of outdoor enjoyment.

OXFORD  GARDEN™

1729 Research Drive, Unit A  
Louisville, KY 40299  
p: 502-719-2222 f: 502-719-8888

## **Care & Maintenance**

Your Oxford Garden furniture arrives in its natural state, without any oils or finishes. Upon completion of assembly, you may notice some staining from your hands, or possibly some water stains from shipping. Shorea is extremely dense, and therefore any staining will be only on the very surface of the wood, so any marks or abrasions can be easily removed by liberally sanding the wood with 100 grit, or medium, sandpaper.

Shorea is strong enough and weather resistant enough to be left totally untreated. If left alone, your furniture will weather naturally with time, turning a warm and soothing shade of gray. If you prefer to prevent this natural weathering, or to enhance the luster and color of the wood, you may seasonally apply a coat of teak oil. If you allow your furniture to weather, and later decide to restore it to its original condition, use a teak cleaner first, and then you may apply the teak oil. These products are available at most hardware stores and boat dealers, and are available through many Oxford Garden dealers.

If the furniture is going to be placed on a concrete or tile patio, it should first be rinsed well to remove the sawdust that may cause some staining.

## **Parts List & Hardware**

A	(1)	Right Arm
B	(1)	Front Seat Rail
C	(1)	Back
D	(1)	Seat
E	(1)	Left Arm
F	(12)	Wood Dowels
G	(6)	Wood Screws

## **About Shorea Wood**

Shorea is a tropical hardwood that grows plentifully in the Pacific Rim countries of Burma, Malaysia, and Indonesia. Shorea is closely related to teak, and is therefore well suited for use in furniture making. It is renowned for its strength, durability, and beauty. Like teak, shorea has natural oils that allow it to withstand the effects of sun, rain, snow, and frost.

# CDCH48 Chadwick 4' Bench

The Oxford Garden 4 Foot Chadwick Garden Bench has five component parts - the left arm, right arm, back, seat, and front seat rail. Put all parts together before securing with screws and dowels.

To assemble:

1. Lay right arm (A) on ground, mortise holes facing up. (figure 1)
2. Place front seat rail (B) into mortise of right arm. (figure 1)
3. Line up the back assembly (C) with the remaining holes in right arm assembly, and place the back onto right arm, making sure that the hole in the lower rail of the back assembly faces the front. (figure 1)
4. Place seat (D) onto right arm, and align seat pegs into the holes of the front and back rails.

Note: Be sure to position the seat assembly with the arrow pointing to the front of the bench.

5. Place left arm (E) onto those parts already assembled. (figure 2)

6. With a hammer, drive 12 dowels (F) into the predrilled holes. Insert the tapered end of the dowel first. (figure 3)

**IMPORTANT NOTE: THE DOWELS SHOULD BE EASILY DRIVEN IN FLUSH. IF THERE IS STRONG RESISTANCE, DO NOT FORCE THE DOWEL. IF NECESSARY, IT CAN BE SAWED OFF.**

7. Drive screws (G) through the predrilled holes to secure seat to the left and right arm assemblies, and through the front and rear seat rails into the center seat support. (figure 4)

8. Using a medium grit sandpaper, quickly sand off any marks or stains. Sand to smooth off areas around the dowel pins.

9. Enjoy your new bench!

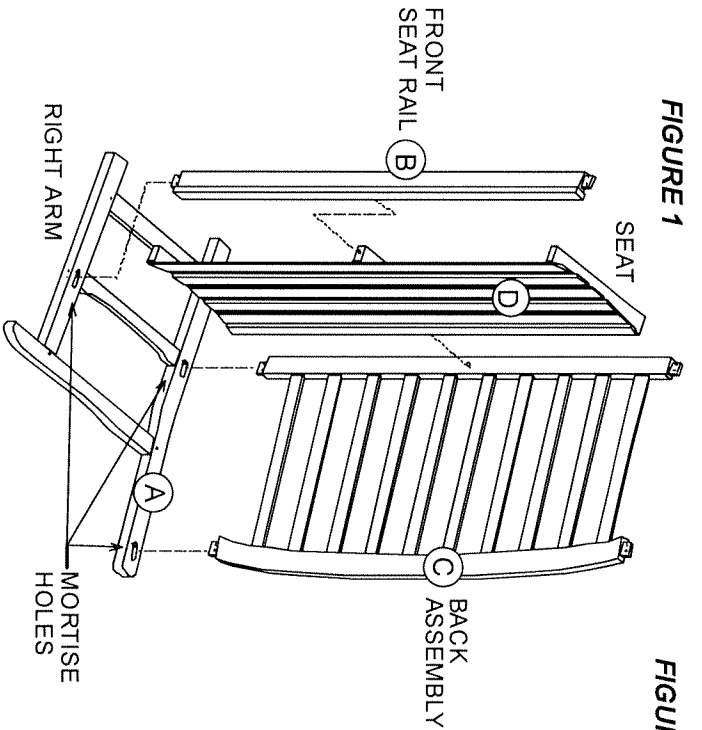


FIGURE 1

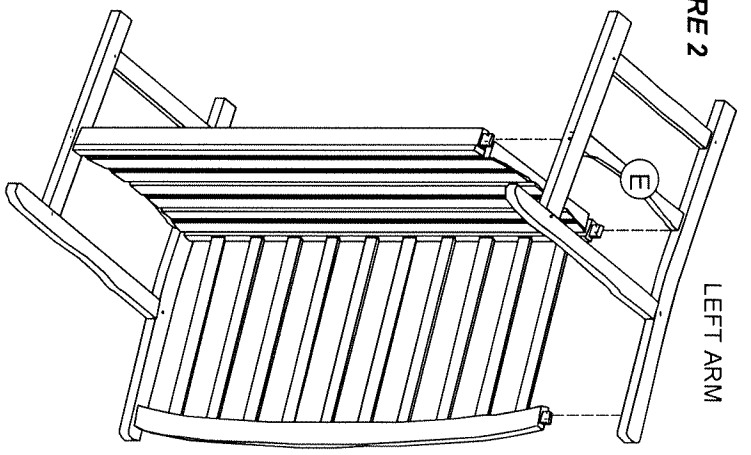


FIGURE 2

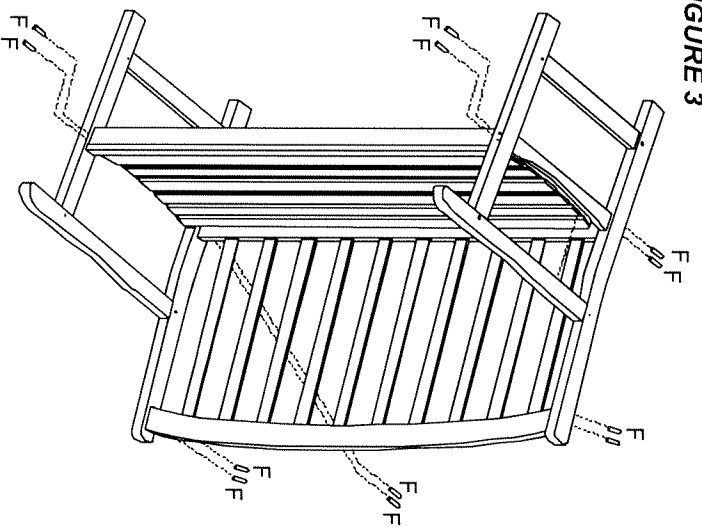


FIGURE 3

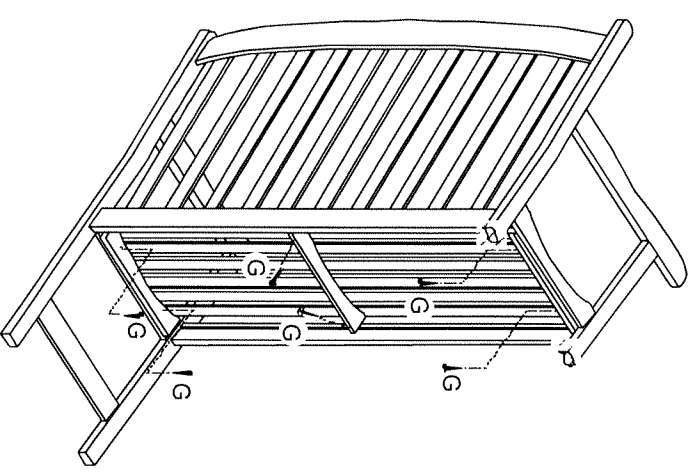


FIGURE 4