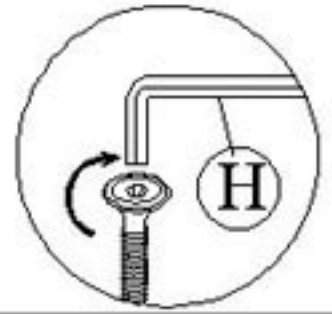
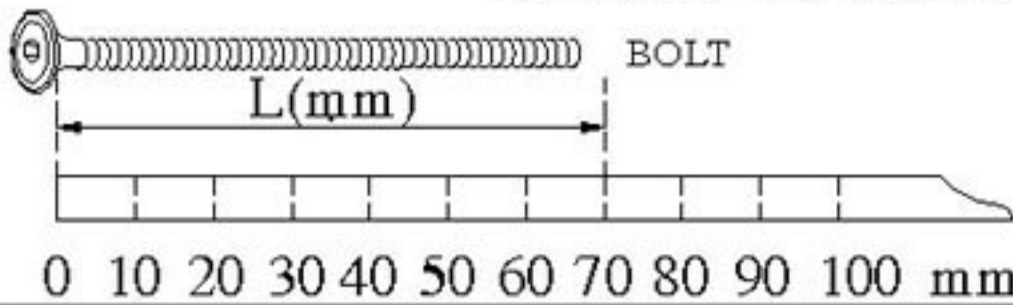

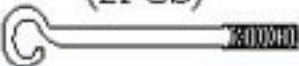
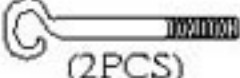

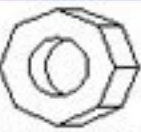





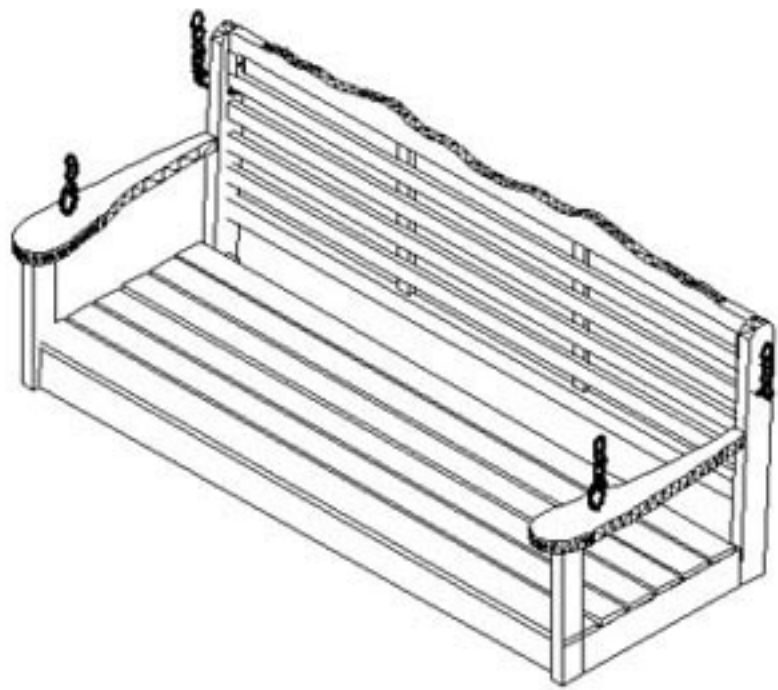
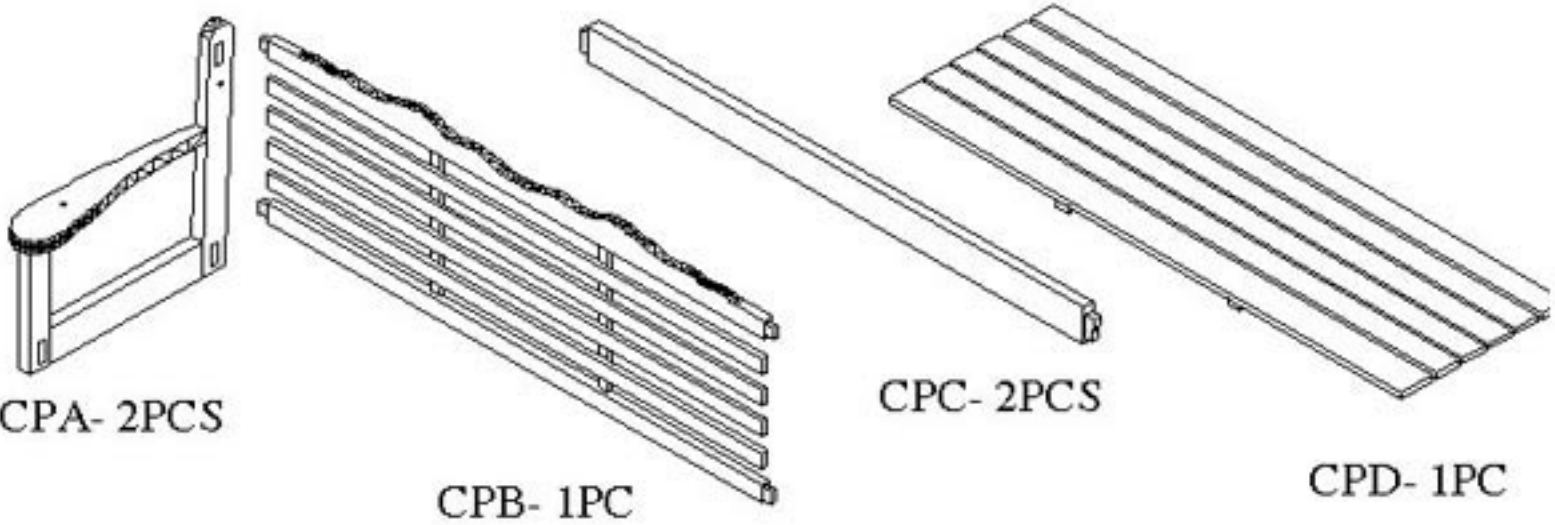
# ASSEMBLY INSTRUCTION

## MODEL # 3N-5SWING



HARDWARE			
 (8PCS) A. 6mm x 60mm BOLT	 (2PCS) B. 8mm x 320mm EYE BOLT	 (2PCS) C. 8mm x 125mm EYE BOLT	 (8PCS) D. 8mm x 30mm WASHER
 (4PCS) E. HEXAGON NUT	 (1SET) F. CHAIN	 (1PC) G. 13mm SPANNER	 (1PC) H. 4mm ALLEN WRENCH

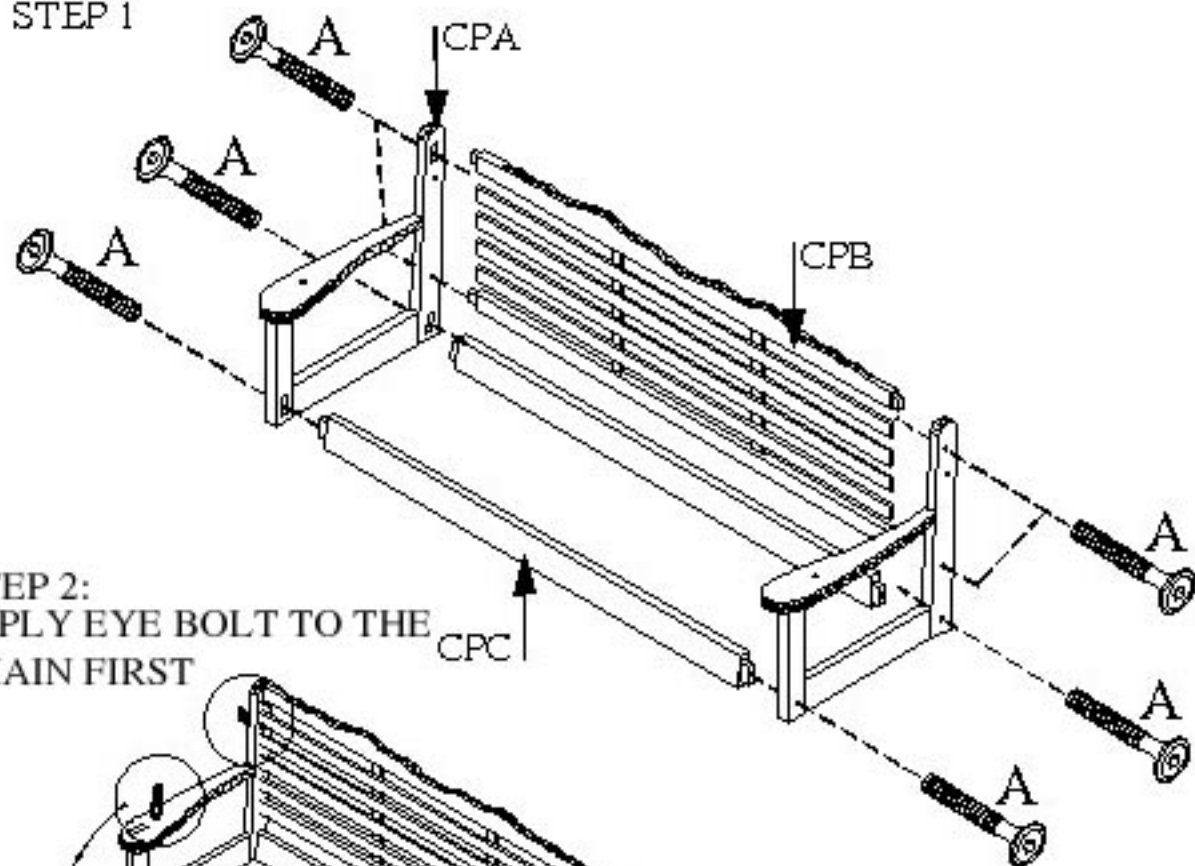
### COMPONENT PART



# ASSEMBLY INSTRUCTION

## MODEL # 3N-5 SWING

STEP 1



STEP 2:  
APPLY EYE BOLT TO THE  
CHAIN FIRST

STEP 3

